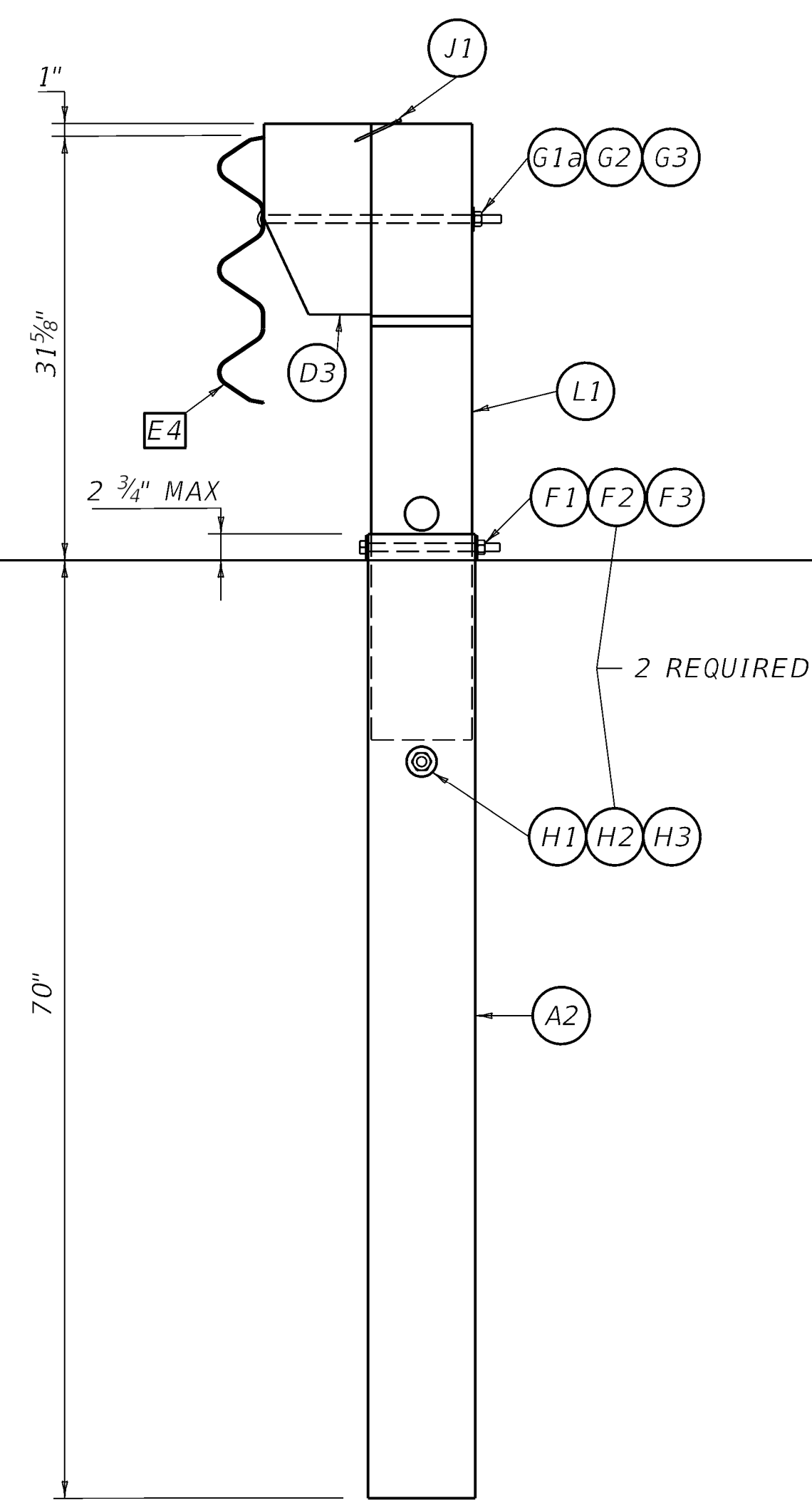
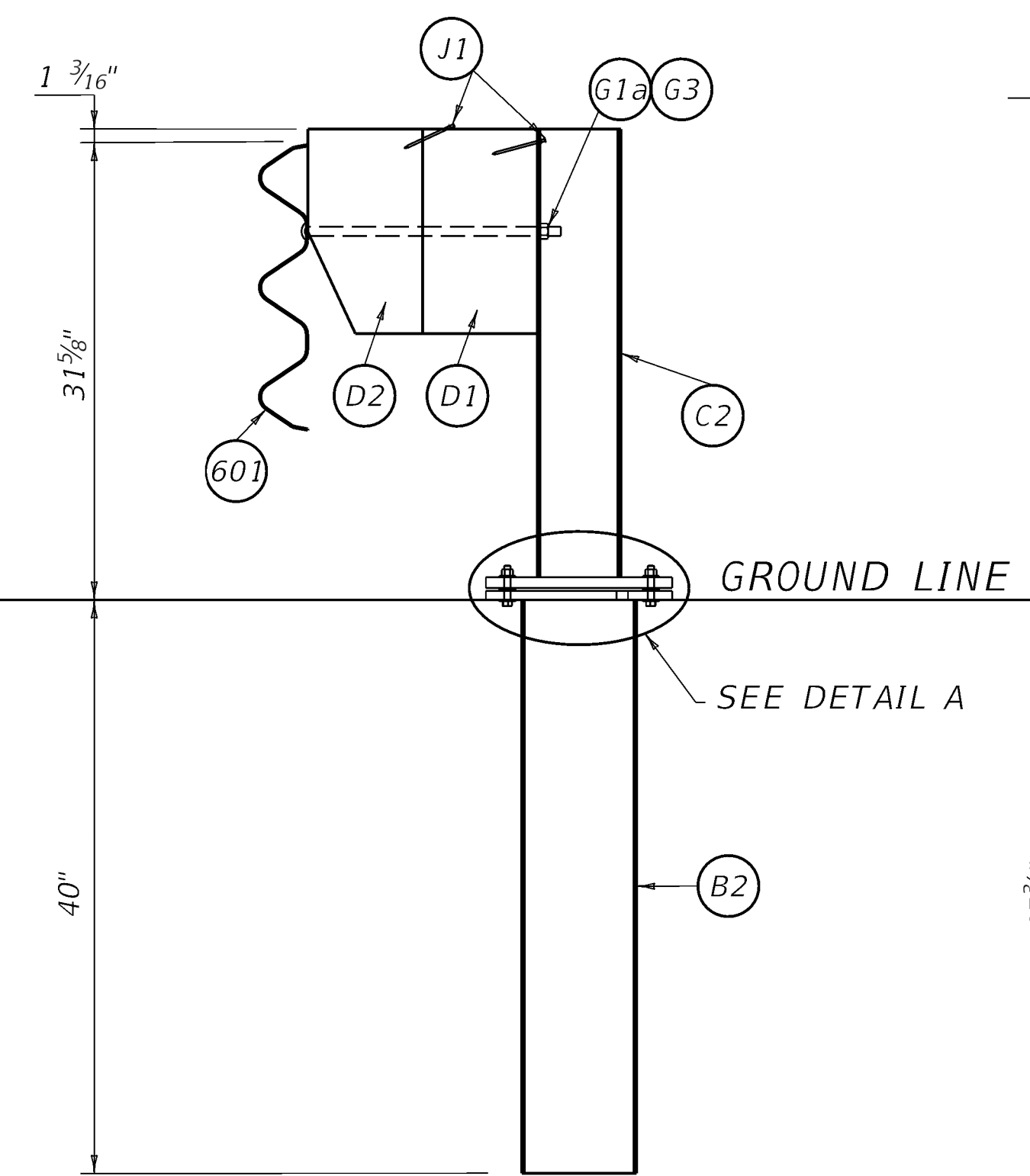


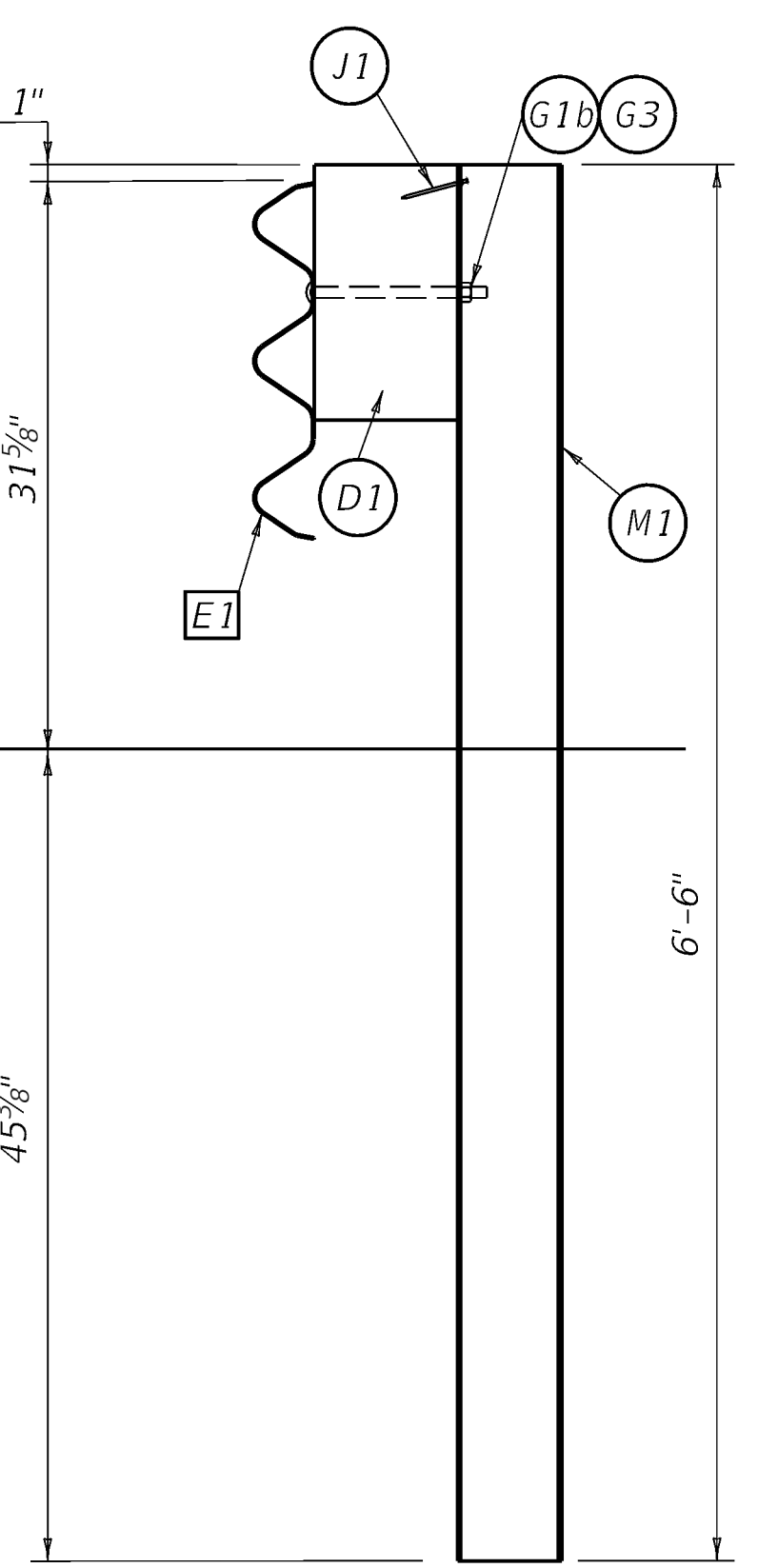
POST NO. 1



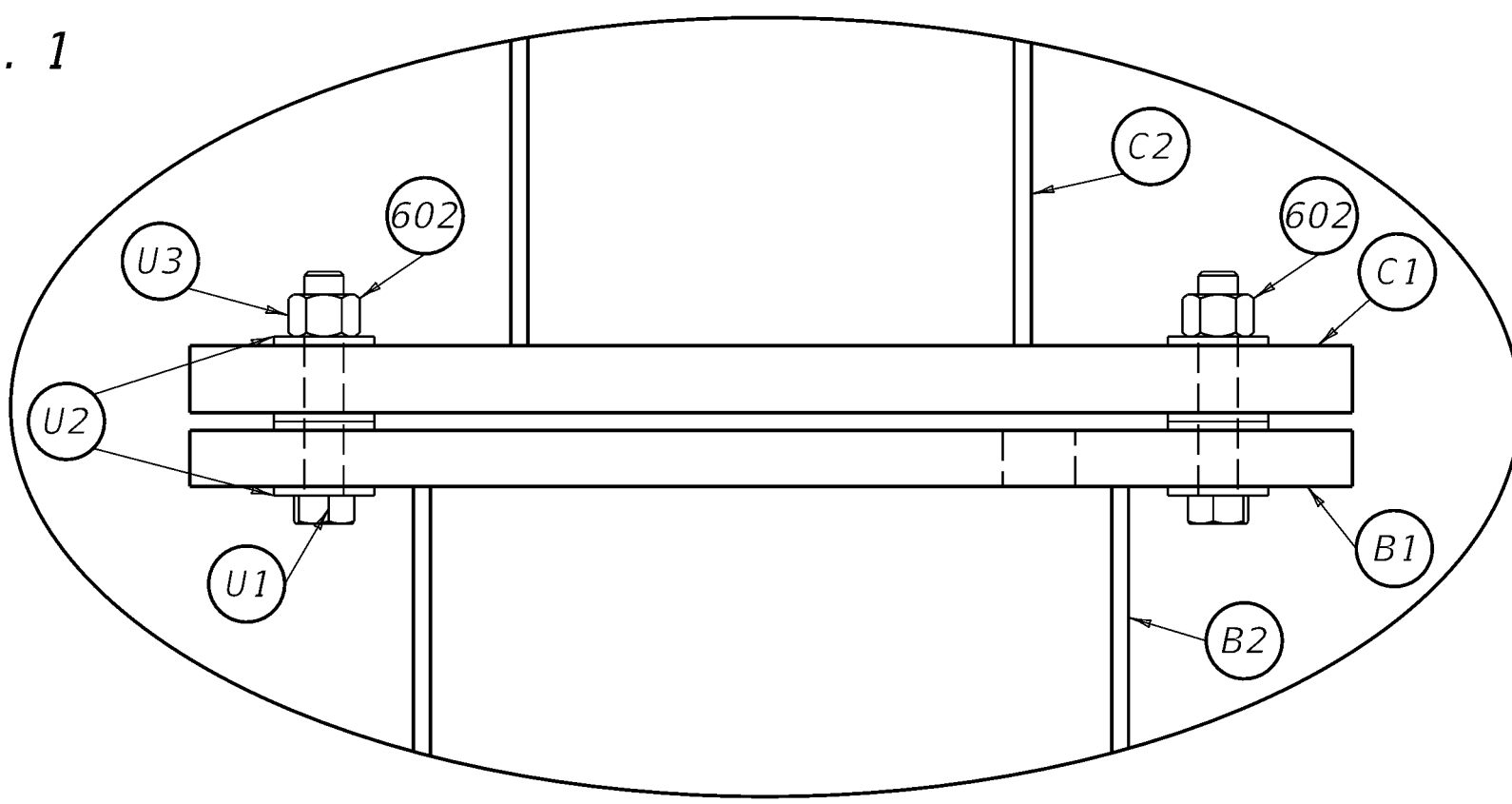
POST NO. 2



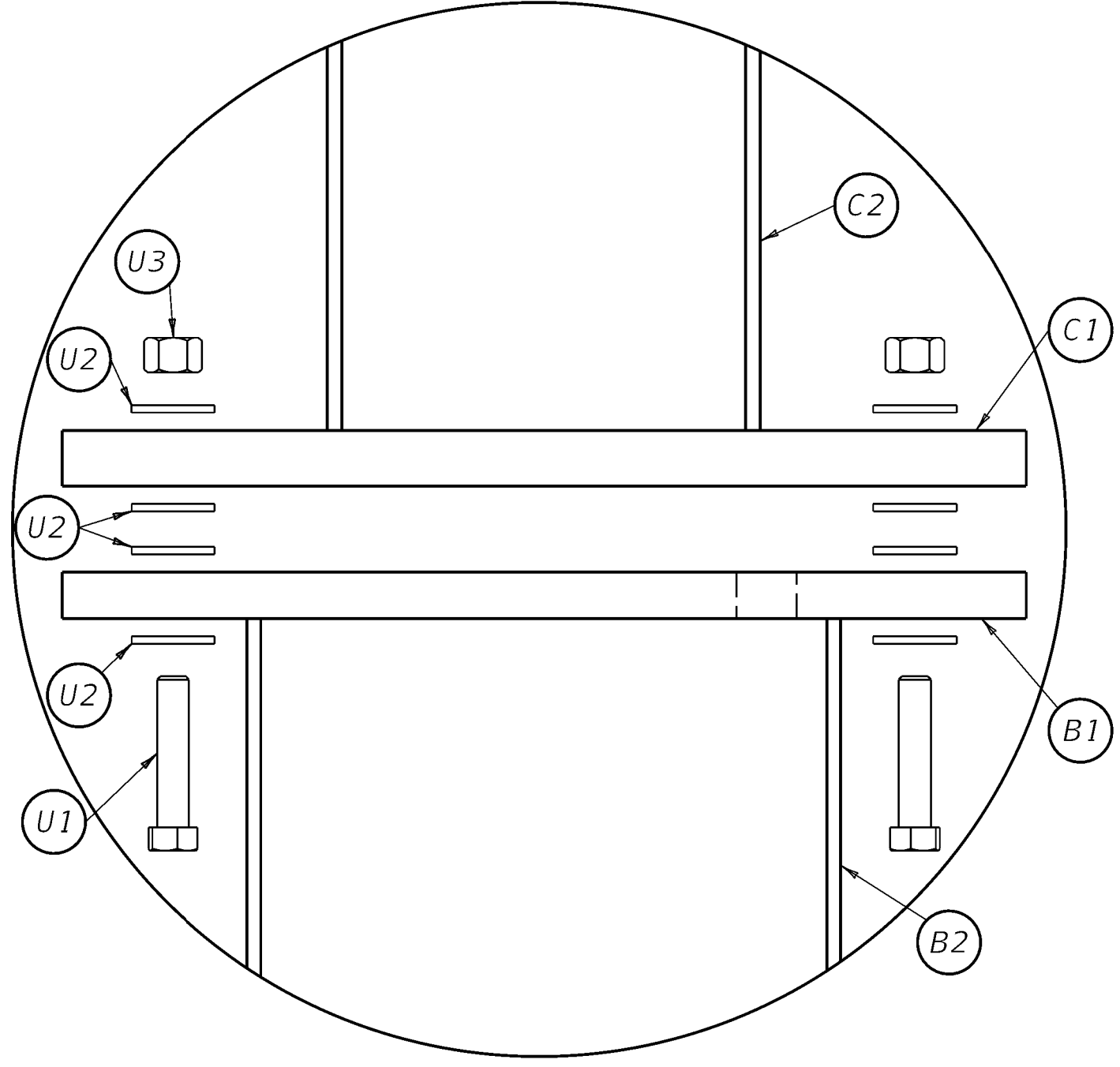
POST NOS. 3-8



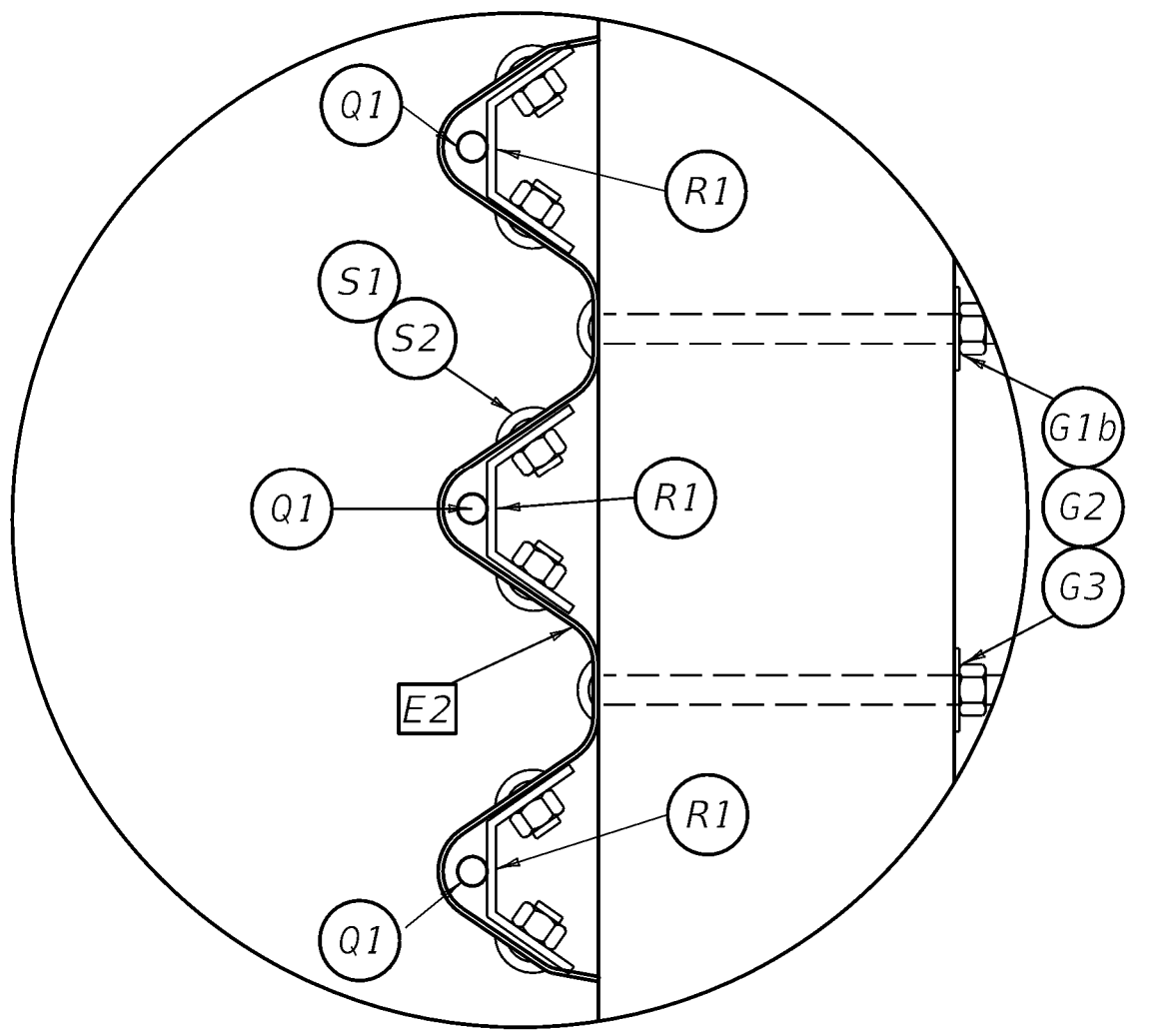
POST NOS. 9-13



DETAIL A



EXPLODED VIEW
DETAIL A



DETAIL B

~ NOTES ~

- 600 SEE SHEET 10 FOR PART DESCRIPTIONS.
- 601 RAIL CAN BE E3 OR E4 DEPENDING ON POST LOCATION.
- 602 TORQUE BOLT BETWEEN 60-75 FT-LB.

SUBMITTED W. T. Lyson 12-10-2024
DIVISION DIRECTOR DATE



COMMONWEALTH OF KENTUCKY
DEPARTMENT OF HIGHWAYS

SEPIA 095: STEEL THRIE BEAM BULLNOSE TERMINAL

SHEET 006: POST DETAILS

REVISION DATE: 12.10.2024
REVISION NUMBER: 0

ITEM NO. COUNTY OF
SHEET NO.